

*****INSTALLATION INSTRUCTIONS*****

- 1- Remove the **6K PLATINUM Dimmer** from the shipping carton. Inspect for damages especially the control knob. Locate the enclosed parts bag.
- 2- Select the location to mount the **PLATINUM Dimmer**. It should be cool, dry, and well ventilated.
- 3- Remove the screws that hold the front door closed. Mount the **6K PLATINUM** dimmer on the wall with the four screws through the mounting holes on the rear of the unit, at a distance from the floor sufficient to prevent children from touching the unit.
- 4- Install all feeder and load wiring per local or national electrical code following the wiring diagrams attached. **IT IS ADVISABLE TO INSTALL BREAKERS OR FUSES ON THE LOAD SIDE.** This would offer additional protection to the dimmer from damage done by overloading and misuse. Make no connections to the dimmer before completing step 5 below.
- 5- With no connections to the dimmer, test all wiring by connecting the branch light circuits directly to the fused or circuit breaker protected hot supply, making sure all grounds are connected. If the fuse blows or the breaker trips after checking this, locate and clear all of the faults before connecting to the dimmer.
- 6- Turn off the power to the circuits tested in step 5 and connect to the **6K PLATINUM** dimmer according to the wiring diagram on the back page. The inputs from the breaker panel connect to the **BLACK** wires and loads 1 and 2 to the **RED** wires, making sure no more than 25 amperes load is connected to either **RED** wire.
- 7- Turn the brightness knob down to 0. Turn on the power. Slowly turn the brightness knobs up to 10. Lights will increase intensity as the knobs are turned up.

LIMITED WARRANTY

PRO-TECH, INC. warrants this product to be free from defects in material and workmanship for a period of six months from the date of purchase, provided it is used for the purpose for which it is intended. IT MAKES NO WARRANTY, EXPRESS OR IMPLIED, OF MERCHANTABILITY, FITNESS FOR PURPOSE OR OTHERWISE and, in any event, its liability for breach of any warrant a contract with respect to this product is limited to repair or replacement of this product.

NO RESPONSIBILITY IS ASSUMED FOR INCIDENTAL OR CONSEQUENTIAL DAMAGES or damage due to misuse of the product. Some states do not allow the exclusion of incidental or consequential damages, so the above limitation or exclusion may not apply to you.

We are proud of our products. Hopefully you will be proud of your purchase. If for some reason you need to return anything, any of the following information will be helpful.

- . What are you returning?
- . Where was it purchased?
- . Date of purchase:
- . Invoice No.:
- . Is it being returned for repair?
- . What seems to be the problem?
- . Is this item under warranty?
- . Will this item be put back into your inventory?

FROM: _____

TO:

Pro-Tech, Inc.

541 Gaither Road

Statesville, NC 28677

OPERATING INSTRUCTIONS FOR THE

6K PLATINUM UL LIGHT DIMMER

TWO 3000 WATT DIMMERS IN ONE ENCLOSURE,
SINGLE PHASE OR 3 PHASE



The **6K PLATINUM** is the most creative and flexible dimmer Pro-Tech has ever made. It has two 25-amp outputs that can be independently controlled. There is a knob for both outputs if you choose a manual dimmer. There is a zero to ten-volt DC input if you choose to operate the dimmer by a controller. The knob is deactivated when the zero to ten-volt DC input is used. A toggle switch for each output of the dimmer can override the controller or the knob, whichever you are using. In the up position the lights are FULL ON. In the down position the lights are FULL OFF. In the center position the dimmer operates from the knob or the controller depending on what you choose to use.

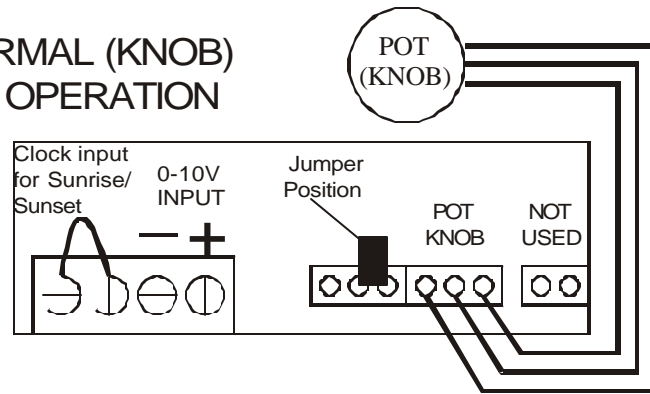
There are seven reasons for this unique design to make raising poultry more profitable.

1. While brooding, normally only the lights in the brood section are on. They have their own knob and switch. The cold end lights can be turned off by rotating it's own knob, which controls that end, or with the corresponding toggle switch.
2. The brood end may have larger bulbs than the cold end. If the bulb size differs in the two ends, the two knobs can balance the intensity, as the birds get larger.
3. The light intensity in either end can be made brighter to achieve better and more even distribution of the birds. Let's say the birds are migrating to the inlet end on a tunnel-ventilated house, the lights can be adjusted to be brighter on the fan end. Then again, you may want the lights brighter on the west end in the mornings and on the east end in the afternoon. This can be achieved.
4. The toggle switches will turn the lights on bright to allow the birds and equipment to be serviced without having to remember the knob settings. This is more important if you have a controller operating the zero to ten-volts feature of the dimmer.
5. The **6K PLATINUM** will even work where there is three-phase power and it will balance the load between two phases. Most dual output dimmers cannot make this claim.
6. A sunrise-sunset feature is designed in the **6K PLATINUM**. Sunrise and sunset allows a soft start and a soft off, adjustable from nearly zero to 15 minutes. A different length of time delay can be set for each output if desired. A time clock with dry contacts is used rather than a load bearing time clock on the input. A 4WZ26 Intermatic timer works well, which is available from Grainger.
7. The **6K PLATINUM** is microprocessor controlled which allows us to provide all this flexibility.

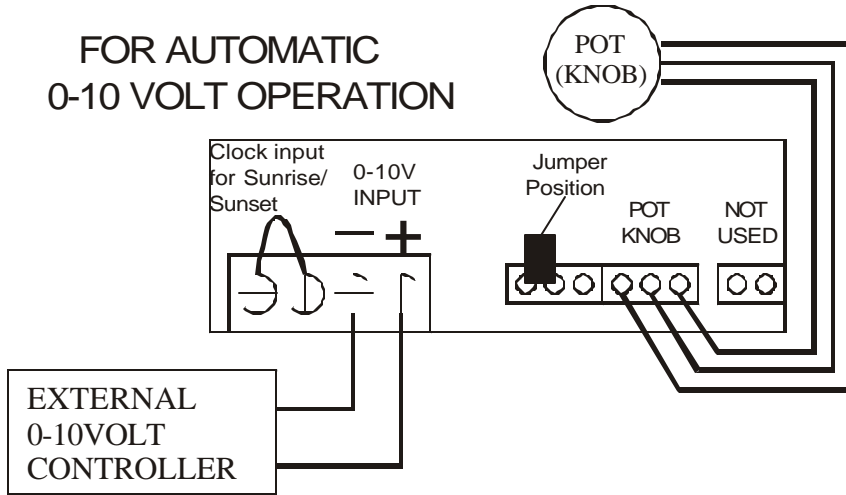
PRO-TECH, INC.

Statesville, NC 28625

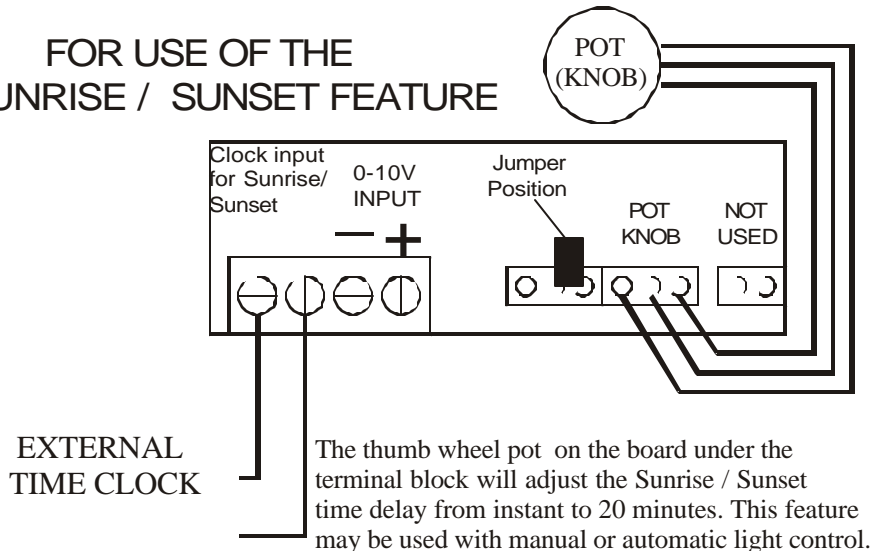
FOR NORMAL (KNOB) MANUAL OPERATION



FOR AUTOMATIC 0-10 VOLT OPERATION



FOR USE OF THE SUNRISE / SUNSET FEATURE



8- The **PLATINUM Dimmer** is designed to be rugged. It should not be misused. The aluminum faceplate will be warm or even hot to touch at times. For this plate to get rid of the heat, the plate should be dusted occasionally.

NOTE: We at Pro-Tech have designed and manufactured this dimmer to give good service. But since we are human, it was subjected to human error. With time, this dimmer will fail; so frequent checking can reduce this element of surprise.

TROUBLE SHOOTING GUIDE

No Light Output:

- A. Power not connected or the circuit breaker is tripped.
- B. Timer switch "off," contacts bad, not closing.
- C. Brightness control set fully CCW.
- D. Load Circuits not connected—"Open Circuit."
- E. The dimmer is wired incorrectly.
- F. Lightning has damaged the unit.

Lights on at Full Brightness

- A. Brightness control set fully CW.
- B. Triacs are shorted. *
- C. The dimmer is wired incorrectly.
- D. Lightning has damaged the unit.

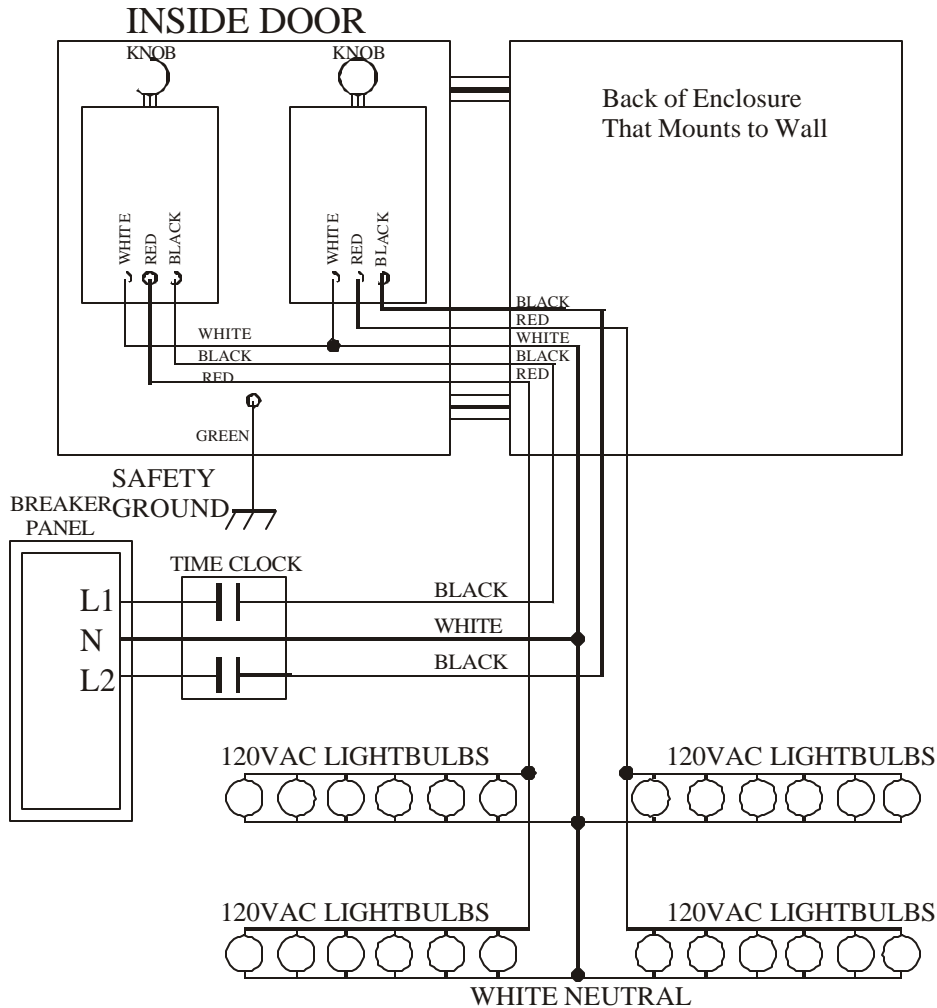
No Control on One-Half of the Lights

- A. One Triac is shorted. *

* A Triac kit is available and it is field replaceable. The directions with the kit may get you back in operation.

NOTE: Other field repairs can be performed. Pro-Tech will help you diagnose the problem and determine the solution.

6K PLATINUM DIMMER



INSTRUCTIONS

FOR MOUNTING AND INSTALLING THE

6K PLATINUM UL LIGHT DIMMER

THIS IS THE MOST INNOVATIVE DUAL 3000 WATT
INCANDESCENT LIGHT DIMMER CAPABLE OF CONTROLLING
TWO 120-VOLT LIGHT CIRCUITS IN THE BUSINESS.

60Hz

Has an adjustable Sunrise & Sunset which is a slow ON & slow OFF

Featuring remote control using 0-10 volts DC

Works on SINGLE PHASE or THREE PHASE power

Saves Electricity

Provides Flexibility

Two Knobs

A JEWEL OF A DIMMER!

Web site: www.pro-techinc.com

Email: info@pro-techinc.com

Designed and Manufactured by:

PRO-TECH, INC.

541 Gaither Road • Statesville, NC 28625 • Phone (704) 872-6227 • Fax (704) 872-1452
<http://www.pro-techinc.com/> • E-Mail: info@pro-techinc.com
Copyright by Pro-Tech, Inc. 2004. All rights reserved

